

ESS BROS. MCI-309, OR NEENAH CASTING NO.1642, W/2 CONCEALED PICKHOLES AND THE WORDS "STORM SEWER" STAMPED ON THE COVER. OR APPROVED EQUAL R-4342 IF INLET

NOTES:

1. BASE TO BE GROUTED TO FORM SMOOTH INLET TO OUTLET.
2. PIPE CUT-OUTS TO BE LOCATED WHERE REQUIRED.
3. STEPS TO LOCATED AWAY FROM PIPE OPENING.
4. ALL GROUTING MUST BE AN APPROVED NON-SHRINKABLE GROUT MIX FOR UNDERGROUND CONSTRUCTION.

MIN, 2 CONCRETE ADJUSTING RINGS. MAX OF 1' OF RINGS. THE CONTRACTOR SHALL USE A 6" ADJUSTING RING IF THE REQUIRED ADJUSTMENT IS BETWEEN 8" AND 1'.

RAM-NECK JOINT FILLER UNDER CASTING NOT IN PAVED AREAS.

PRECAST CONCRETE TOP SLAB SHALL BE DESIGNED FOR AASHTO HS-25 HIGHWAY LOADING, PLUS DEAD LOAD.

ALL EXTERIOR JOINTS (BASE TO CONE) SHALL BE SEALED WITH GATOR WRAP BRAND BUTYL WRAP, OR APPROVED EQUAL AT LEAST 12-INCHES WIDE.

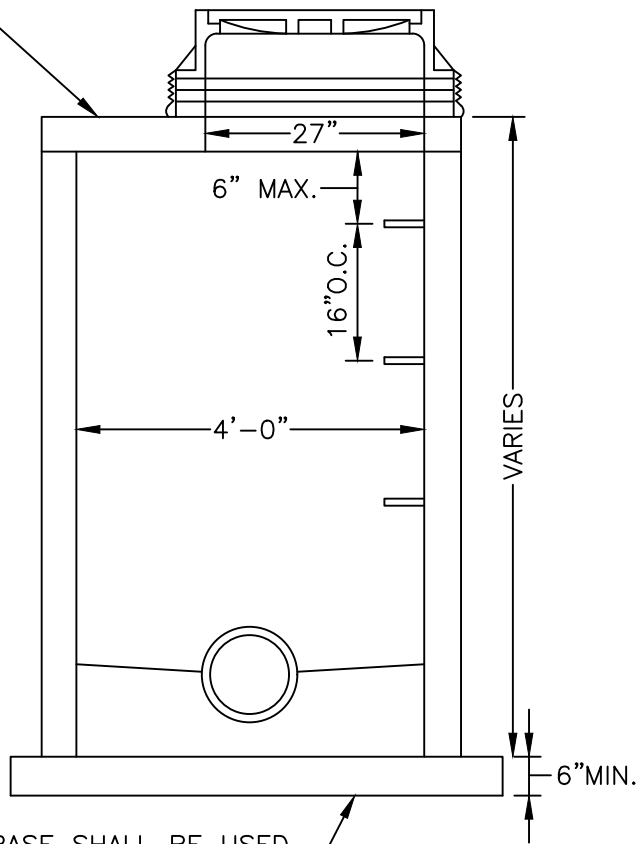
JOINT FILLER TO BE RAM-NECK OR APPROVED EQUAL

PRECAST CONCRETE MANHOLE AND BASE SHALL BE ACCORDING TO ASTM C-478 W/O-RING JOINTS.

CONCRETE EXTERIOR ENCASEMENT W/4000LB CONCRETE SPEC MIX AND CONNECTIONS PER 3.04.C

ALL PIPE LEADS TO EXTEND INTO STRUCTURE A MINIMUM OF 4'.

INTEGRAL BASE SHALL BE USED WHENEVER POSSIBLE



STORM SEWER
STANDARD MANHOLE
(48" INSIDE DIAMETER)

PLATE NO. LV-STM-2

DATE 01/2020