

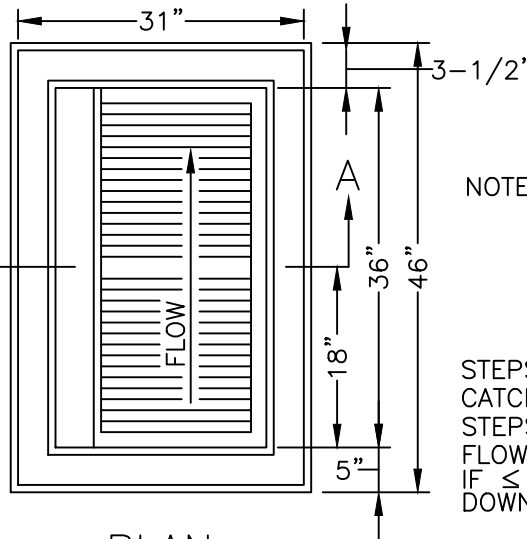
CURB INLET FRAME AND CURB BOX NEENAH NO. R-3067-V AND 2" RADIUS CURB BOX.

LONGITUDINAL SLOPES SHALL HAVE A TYPE V GRATE.

LOW POINTS SHALL HAVE A TYPE "V BI-DIRECTIONAL GRATE".

FLOW LINE SHALL BE MIN. 0.62' BELOW TOP OF CURB.

MIN. 2 CONCRETE ADJUSTING RINGS. MAX OF 1' OF RINGS. THE CONTRACTOR SHALL USE A 6" ADJUSTING RING IF THE REQUIRED ADJUSTMENT IS BETWEEN 8" AND 1'.



PLAN

CONCRETE EXTERIOR ENCASEMENT W/4000LB CONCRETE SPEC MIX AND CONNECTION PER 3.04C

NOTE: ALL 3067 CURB BOXES TO HAVE (DUMP NO WASTE DRAINS TO FRESH WATER) STAMPED ON THEM.

STEPS ARE REQUIRED IN ALL CATCH BASINS OVER 4' IN DEPTH. STEPS TO BE FACING TRAFFIC FLOW. STEPS PER LV-ST-6 IF ≤ 4' INSTALL ONE STEP 16" DOWN FROM TOP OF CASTING.

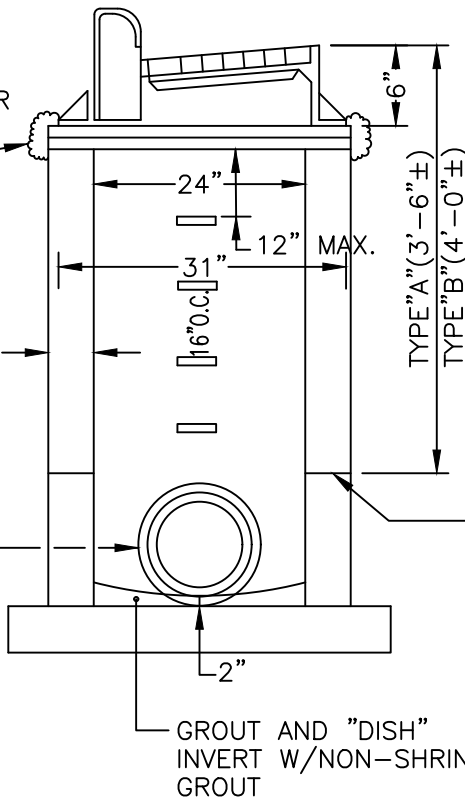
NOTE: REINFORCING TO CONSIST OF #4 BARS AT 8"O.C. BOTH WAYS

4" MIN. CONCRETE COLLAR ON EXTERIOR OF RINGS AND CASTING FLANGE

PRECAST CONCRETE STRUCTURE SHALL BE ACCORDING TO ASTM C-857-87

20"DIAMETER PRECAST OPENING

ALL PIPE LEADS TO EXTEND INTO STRUCTURE A MINIMUM OF 4'.



METAL PLATE TO BE INSTALLED ON ALL INACTIVE SYSTEMS. PLATE TO BE REMOVED WHEN OUTLET IS CONNECTED. USE A DOUBLE LINE OF RAM-NECK GASKET BELOW THE PLATE. PLATE SHALL NOT EXTEND BEYOND STRUCTURE.

NOTE: TYPE "A" (3'-6"±)  
TYPE "B" (4'-0"±)

NON-SHRINK GROUT FOR UNDERGROUND CONSTRUCTION AND RAM-NECK (TYP. ALL AROUND)

ALL EXTERIOR JOINTS (BASE TO CONE) SHALL BE SEALED WITH GATOR WRAP BRAND BUTYL WRAP, OR APPROVED EQUAL AT LEAST 12-INCHES WIDE.



STORM SEWER CATCH BASIN WITH BOTTOM SLAB

PLATE NO. LV-STM-1A

DATE 01/2020