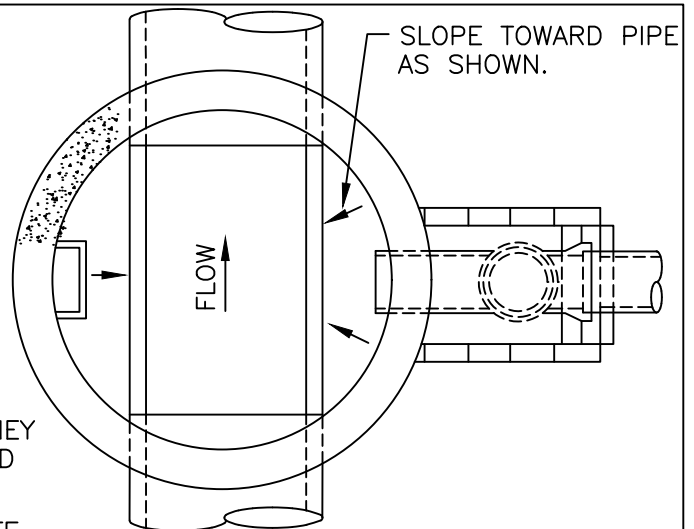


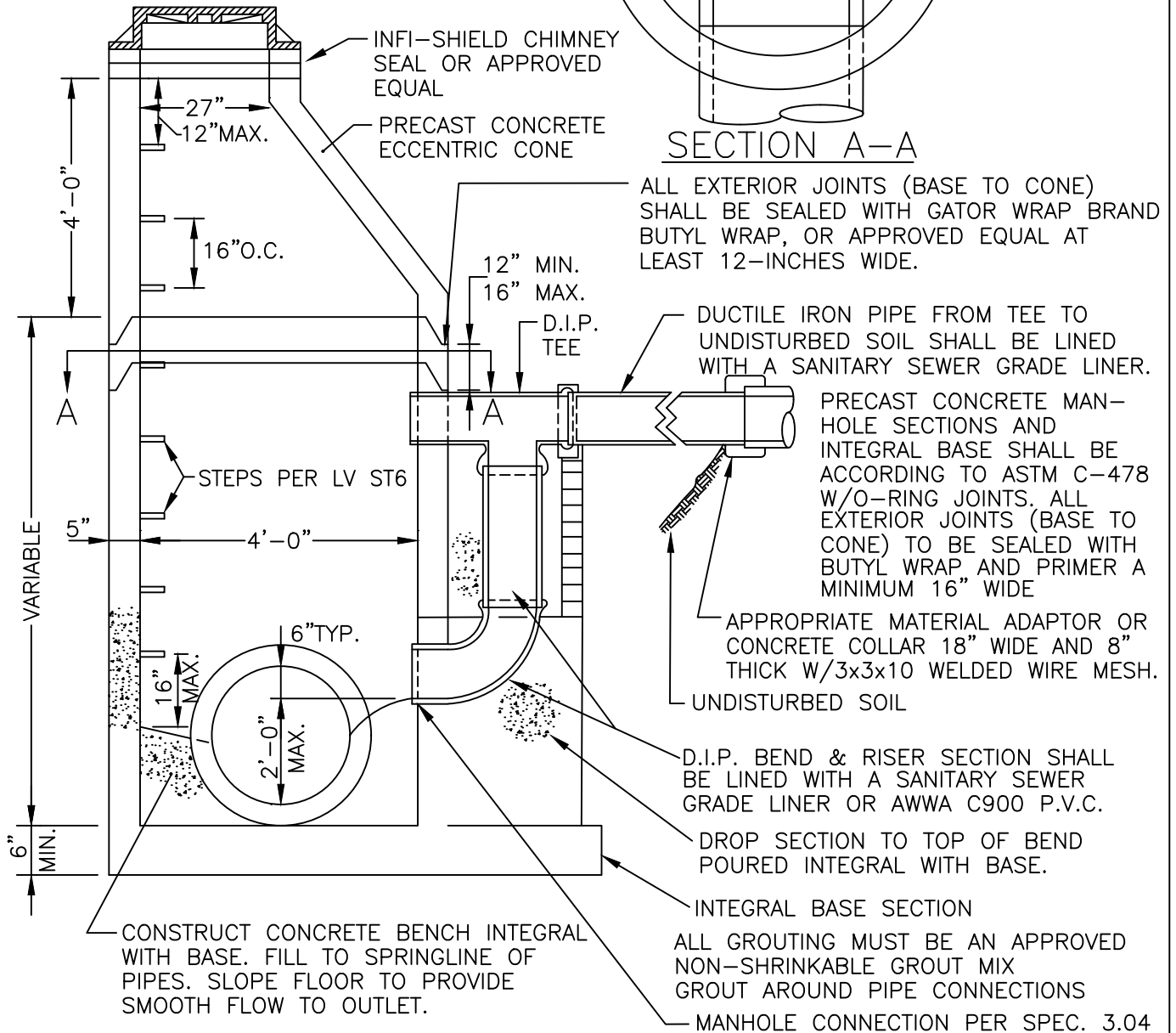
ESS BROS. MCI-309, OR NEENAH CASTING NO.1642, W/2 CONCEALED PICKHOLES AND THE WORDS "SANITARY SEWER" STAMPED ON THE COVER. OR APPROVED EQUAL

MIN, 2 CONCRETE ADJUSTING RINGS. MAX OF 1' OF RINGS. THE CONTRACTOR SHALL USE A 6" ADJUSTING RING IF THE REQUIRED ADJUSTMENT IS BETWEEN 8" AND 1'.

RAM-NECK JOINT FILLER UNDER CASTINGS NOT IN PAVED AREAS.



SECTION A-A



SANITARY SEWER
OUTSIDE DROP MANHOLE
(48" INSIDE DIAMETER)

PLATE NO. LV-SS-3

DATE 01/2020